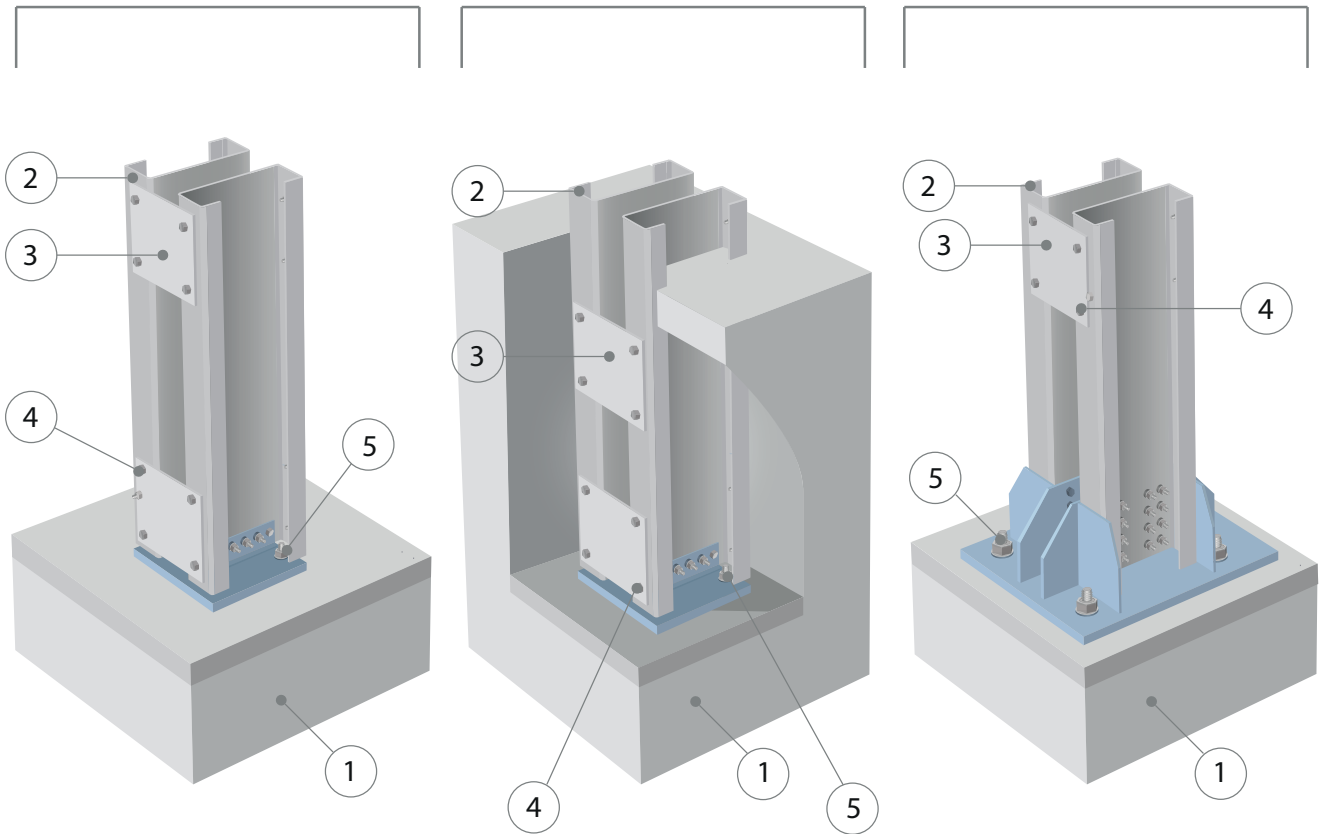


# Column – foundation connection

HINGED

RESTRAINED  
IN FOUNDATION

FIXED

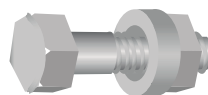


1 Footing

2 Main girder column,  
with hot-dip zinc  
coating (450 g/m<sup>2</sup>),  
pre-formed holes

3 Batten

4 Galvanized, mounting screw  
class 8.8 with pad and nut



5 Injectable anchors or cast-in anchors