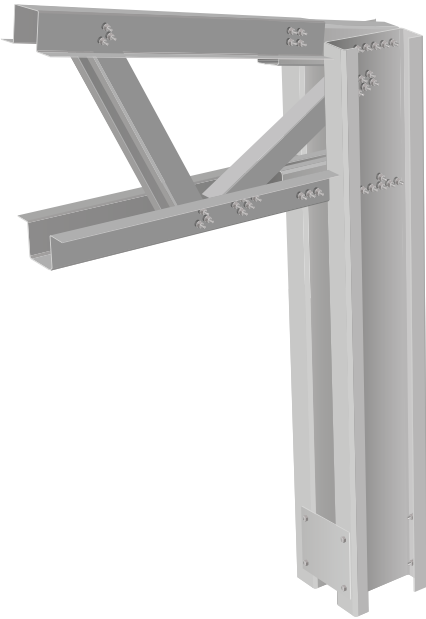


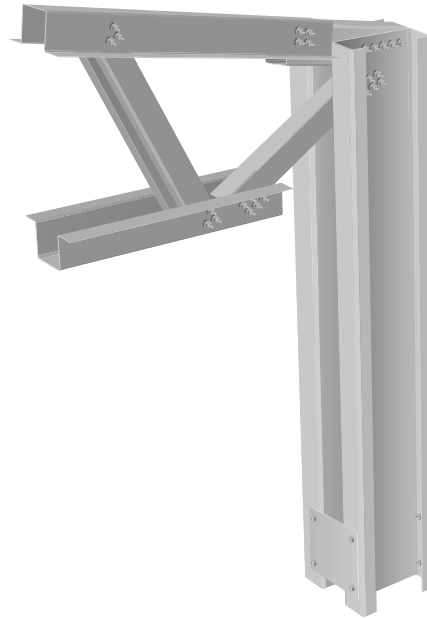
# Column – truss girder connection

---

RIGID CONNECTION TO STEEL COLUMN



HINGED CONNECTION TO STEEL COLUMN



HINGED CONNECTION TO REINFORCED CONCRETE COLUMN

